

WAVELAND WALL HUNG BASIN

Cat. No
4-9124



Faucet not included



Mounting hardware

W: 33-7/8"
D: 18-3/4"
H: 4"

Interior Dimensions:

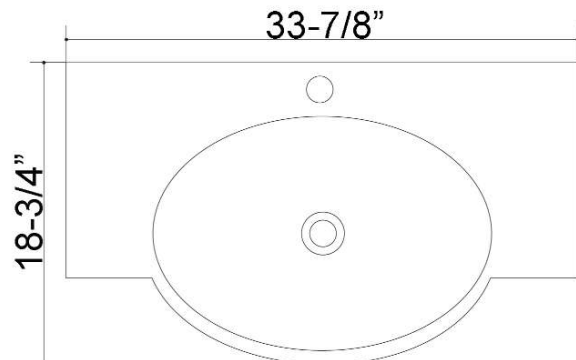
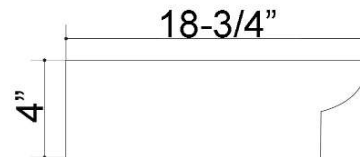
Basin Interior: 20-1/2" x 13-1/8"
Basin Depth: 2-3/4"
Back of basin to center of faucet: 3-1/8"
Back of basin to center of drain: 9-1/2"
Mount holes cc: 11-1/4"
Faucet hole diameter: 1-3/8"

Features:

- ▶ Wall hung basin
- ▶ Made of Vitreous China
- ▶ Pre-drilled with 1-3/8" single faucet hole
- ▶ No overflow
- ▶ Mounting hardware included
- ▶ Drain not provided

Colors WH White

Meets or exceeds the following specifications: ASME A112.19.2 2013 and CSA B45.1-13 for ceramic plumbing fixtures.



Dimensions of fixture are nominal and may vary within the range of tolerances established by ASME Standard A112.19.2.2013 Dimensions and specifications subject to change without notice.